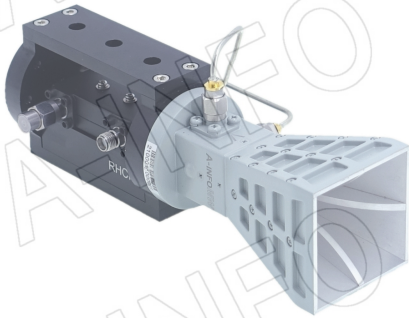


For reference only. See data sheet for the detailed specifications.

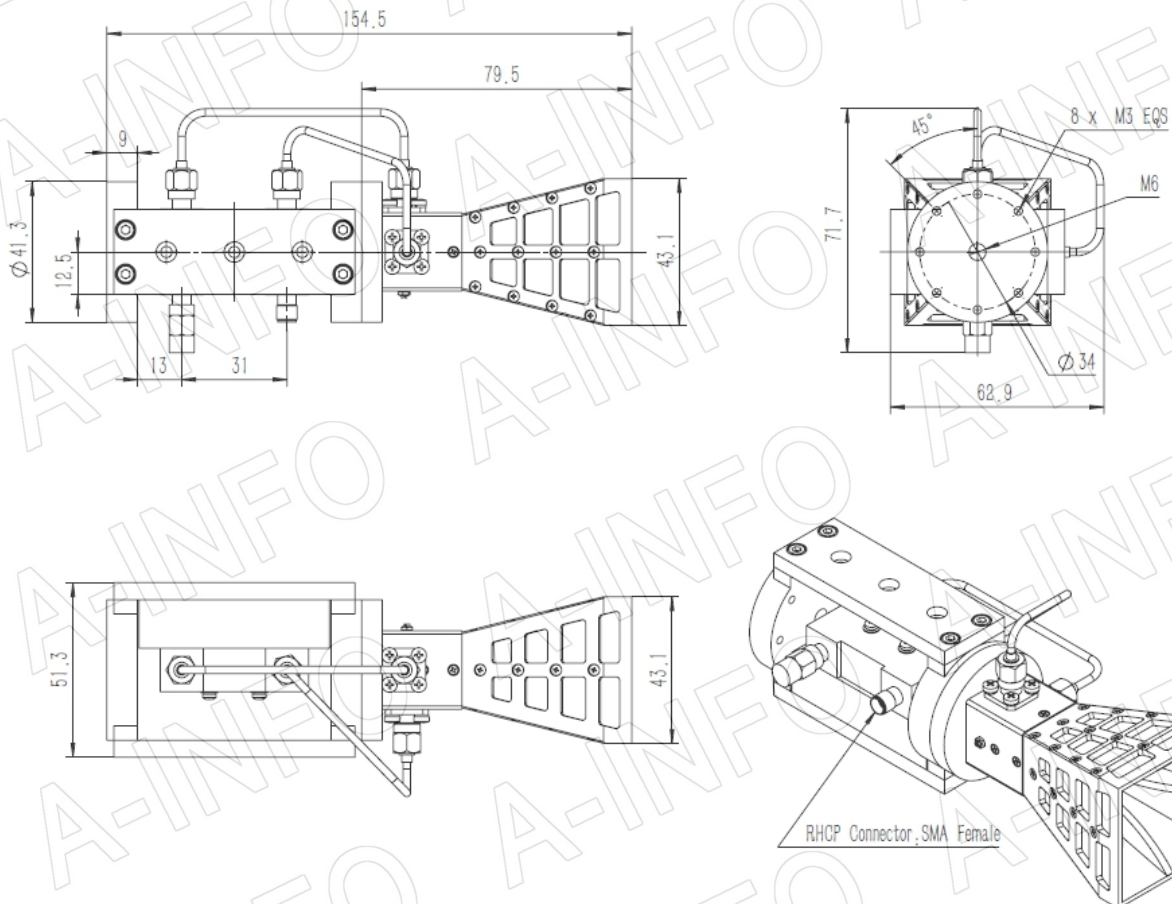
Technical Specification



Frequency Range(GHz)	6.0 – 18.0
Gain(dBic)	12 Typ.
Polarization	RHCP
Axial Ratio(dB)	2.0 Typ.
	4.0 Max.
3dB Beamwidth(deg)	E Plane: 76 - 29
	H Plane: 75 - 30
VSWR	2.0:1 Max.
Connector	SMA-Female
Power Handling(W CW)	20 Max.
Material	Al
Finish	Chemical Conversion Coating and Anodizing, Gray Paint
Size(mm)	62.9 x 71.7 x 154.5
Net Weight(Kg)	0.34 Around

Outline Drawing (Size: mm)

SMA-Female Output (P/N: LB-SJ-60180-P02)



AINFO Inc.

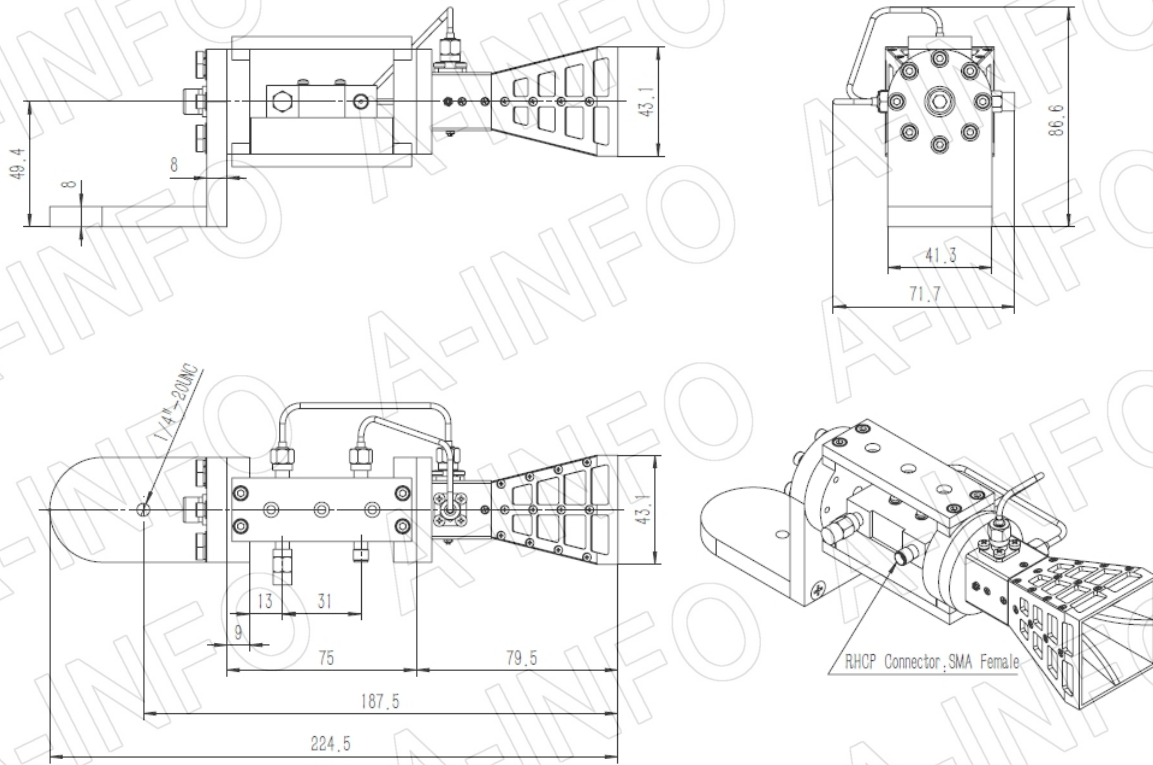
China(Beijing): Tel: (+86) 10-6266-7326,
 China(Chengdu): Tel: (+86) 28-8519-2786,
 USA: Tel: (+1) 949-346-7326,

Page 1 of 9

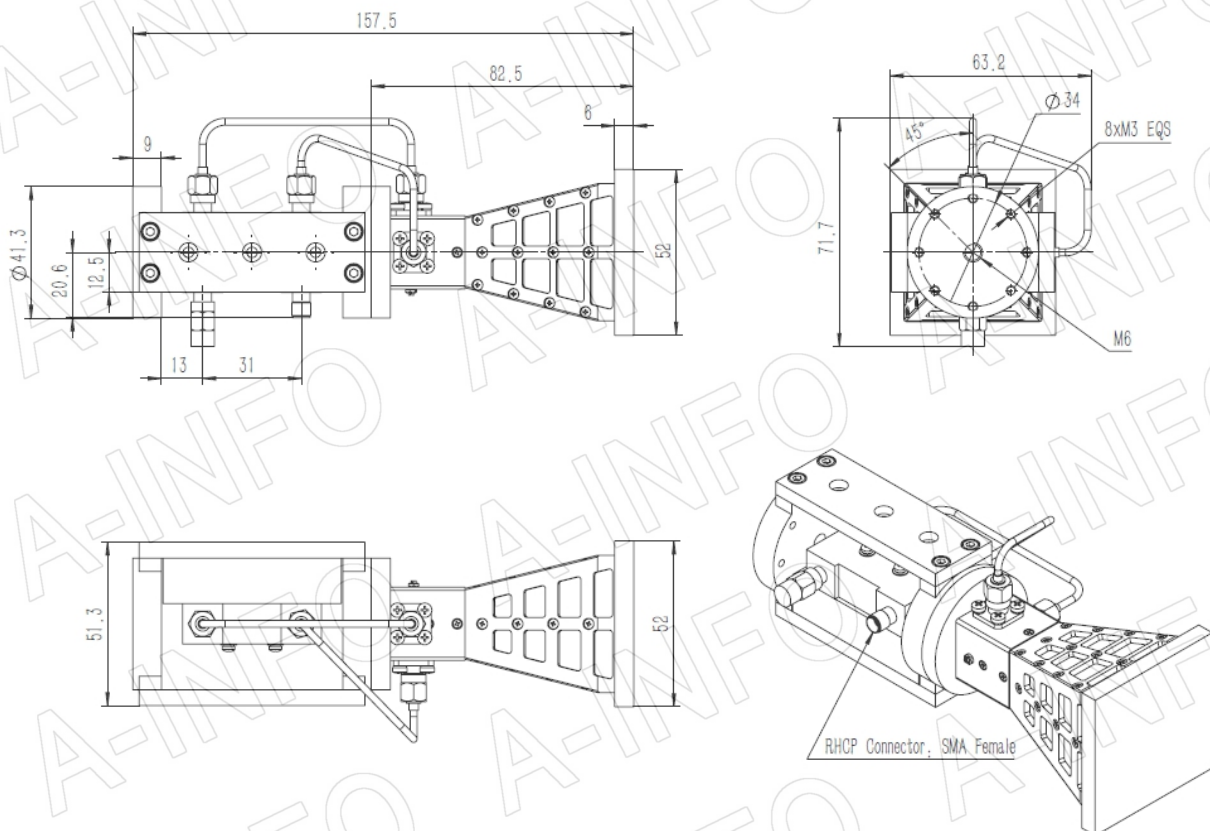
(+86) 10-6266-7327 Fax: (+86) 10-6266-7379
 (+86) 28-8519-3044 Fax: (+86) 28-8519-3068
 (+1) 949-639-9660 Fax: (+1) 949-639-9659

Website: www.ainfoinc.com
 Email: sales@ainfoinc.com

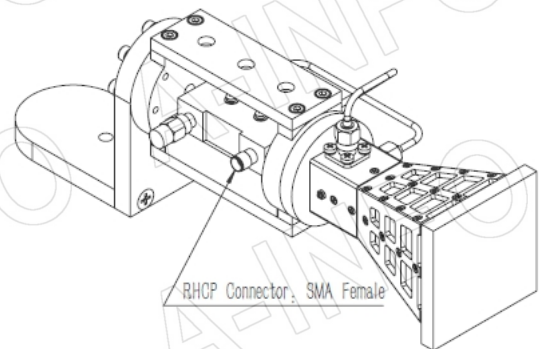
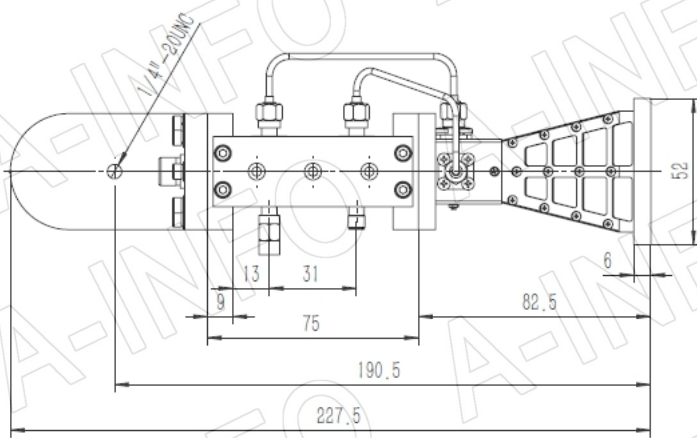
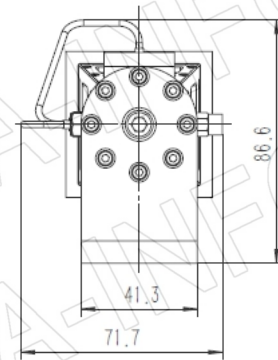
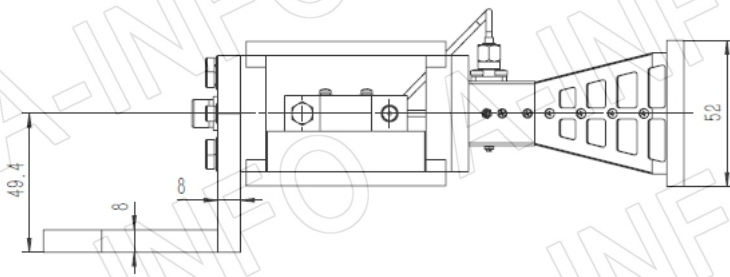
SMA-Female Output with L Type Mounting Bracket (Option, P/N: LB-20180-L)



SMA-Female Output with Radome (Option, P/N: LB-60180-P02SPO, Application Outdoor)

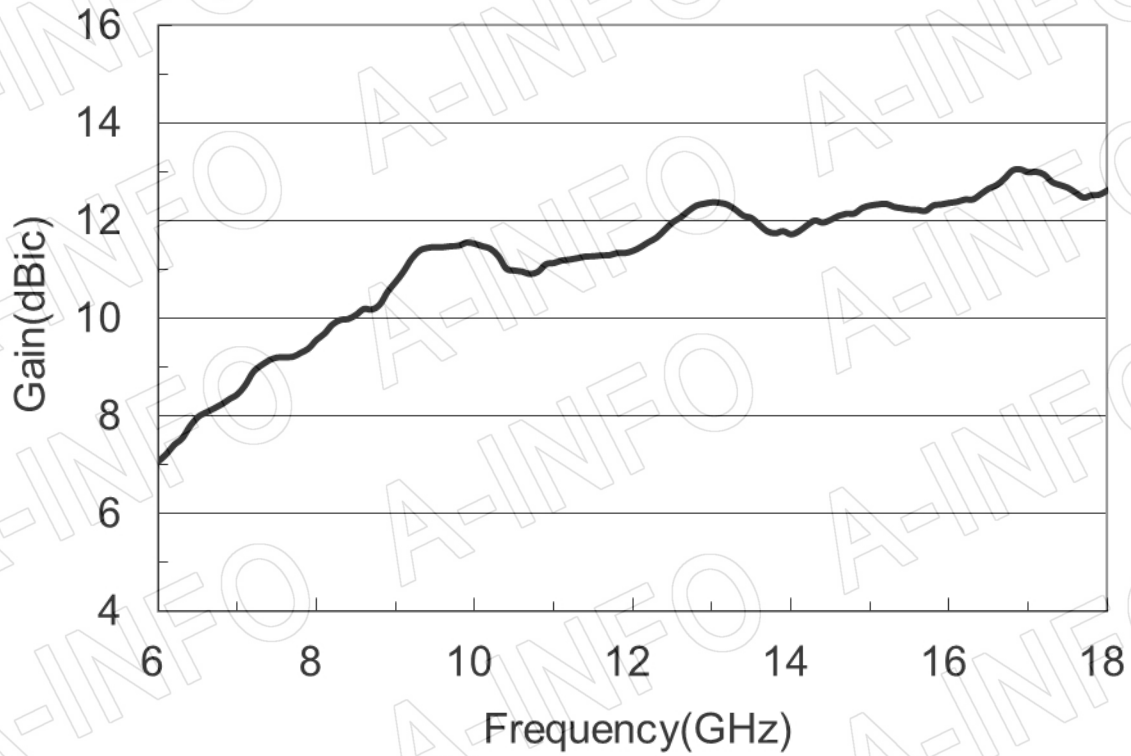


SMA-Female Output with L Type Mounting Bracket & Radome (Option, P/N: LB-20180-L & LB-60180-P02SPO, Application Outdoor)

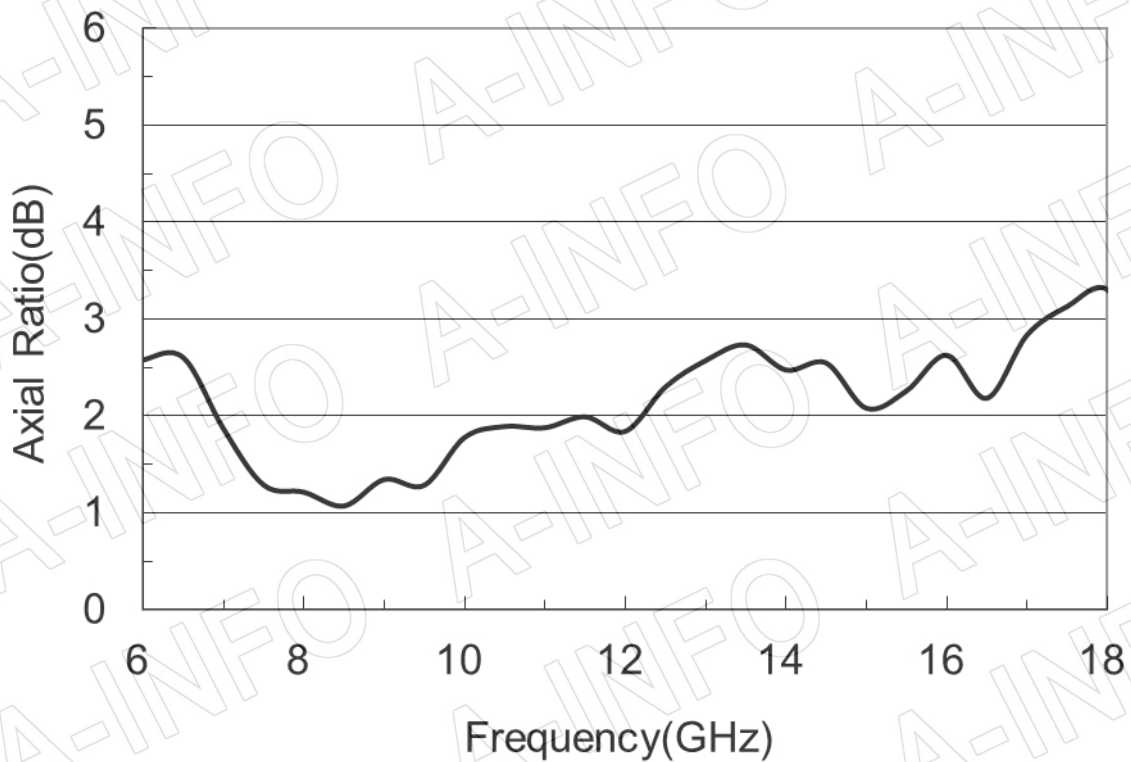


Test Results

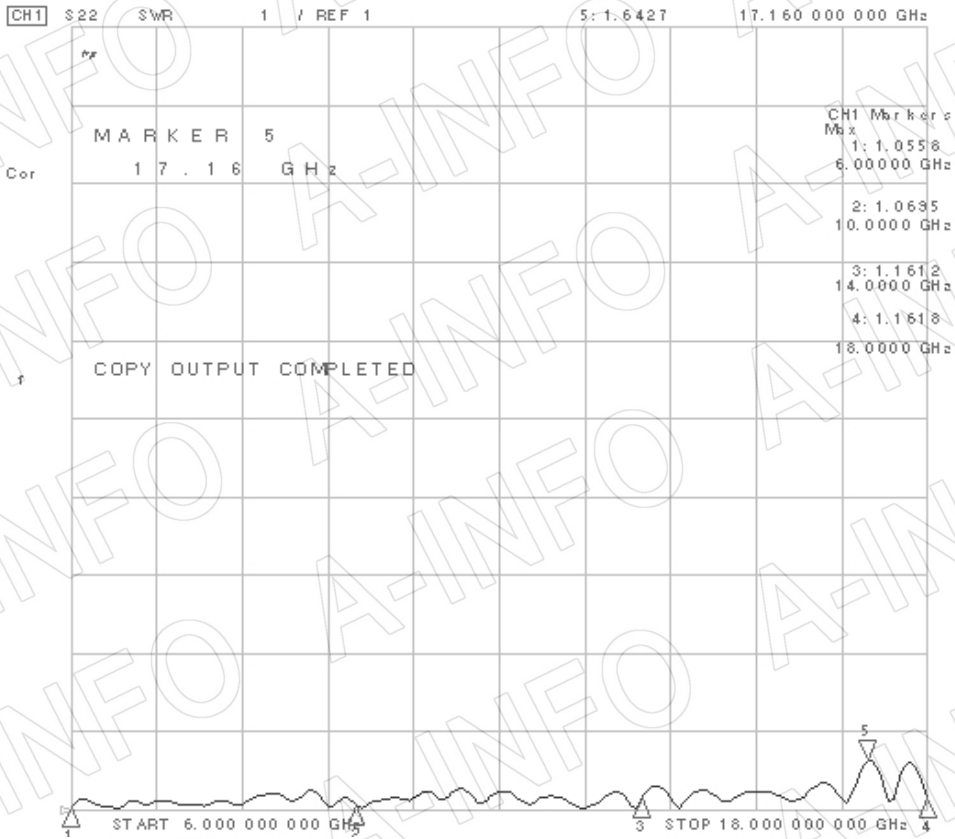
1. Gain



2. Axial Ratio



3. VSWR



4. Pattern

